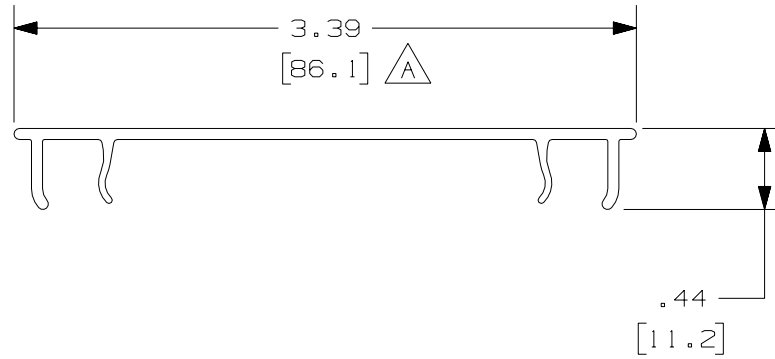


THIS COPY IS PROVIDED ON A RESTRICTED BASIS AND IS NOT TO BE USED IN ANY WAY DETRIMENTAL TO THE INTERESTS OF PANDUIT CORP.



NOTE.

1. ALL DIMENSIONS ARE REFERENCE ONLY.
2. DIMENSIONS IN PARENTHESES ARE METRIC.
3. THE * * DENOTE COLOR.
4. USE HC3**6 WITH 3" WIDE TYPE H DUCT.

				CAD FILENAME/LAYERS D110000W_DC/00B			
				PANDUIT CORP. TINLEY PARK, ILLINOIS			
				WIRING DUCT - TYPE HC COVER 3 MARKETING DRAWING			
I	8/22/07	JCSTMKBE	A. DIMENSION CORRECTED - WAS 3.38	DRAWN BY JCST	MAT'L; PVC	SCALE FULL	
R	1/14/05	JCSTMKBE	DRAWING RELEASED	DATE 1/14/05		DRAWING NO. 36897-1032	DWG A
REV	DATE	BY	CHK	DESCRIPTION		CHK'D MKBE	SIZE A